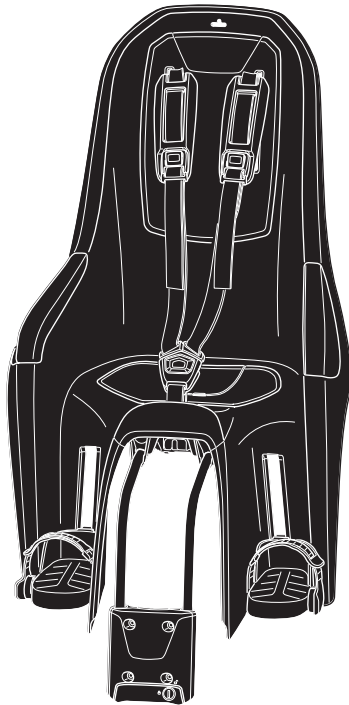


➤ Instructions

Thule RideAlong Lite

100109, 100110, 100111



Carbon
fiber frame



0-9 M



9-72 M

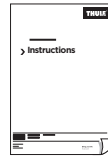
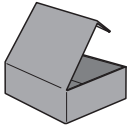
9-22 kg

20-48,5 lbs

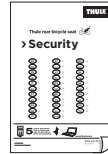


EN 14344

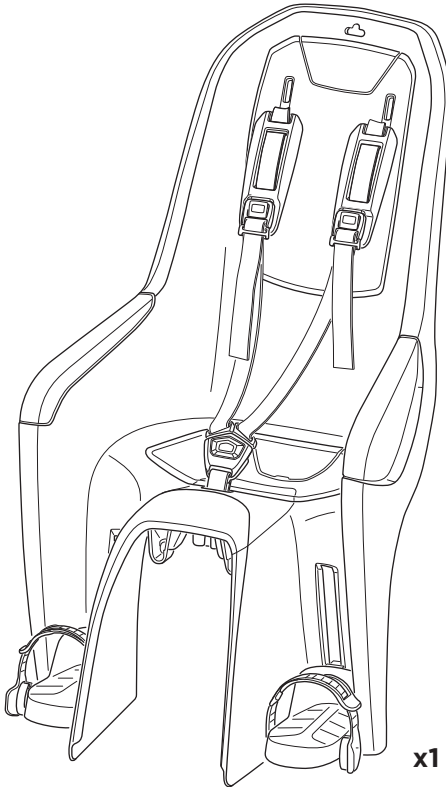




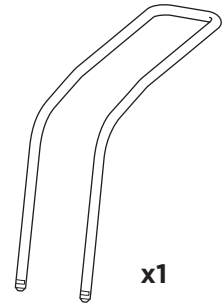
x1



x1



x1



x1



x1



x1



x1



x4

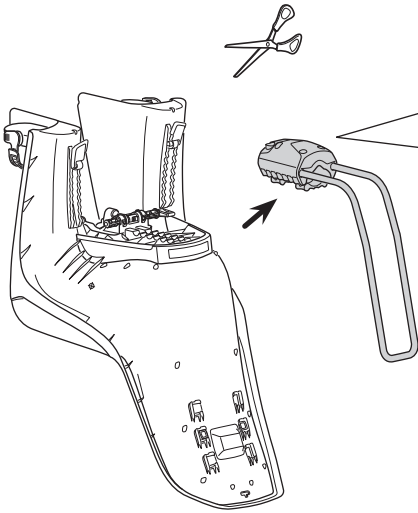
M6x44
M6x1.7"



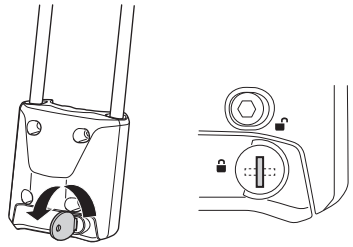
x4

M6x58
M6x2.3"

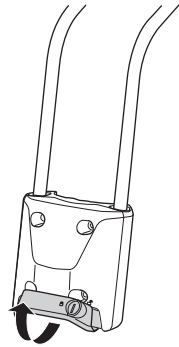
1



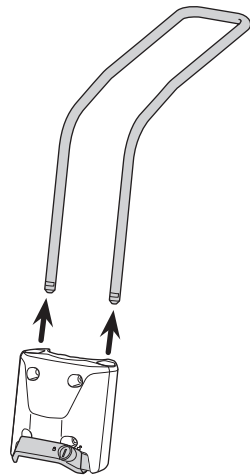
A



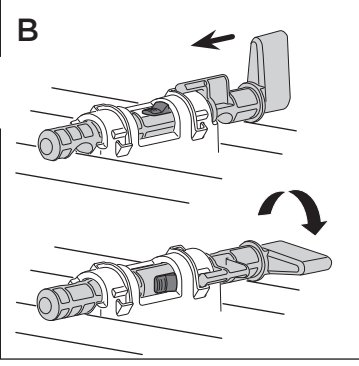
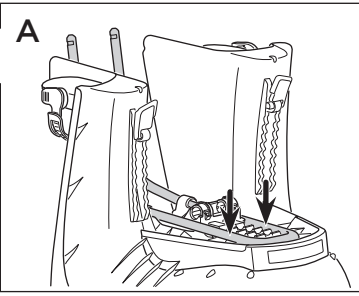
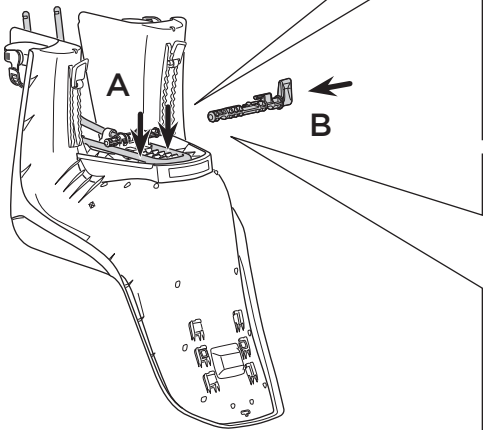
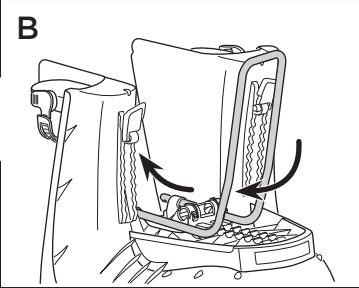
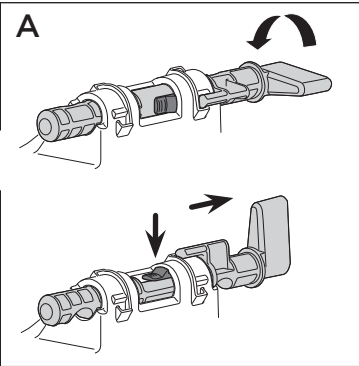
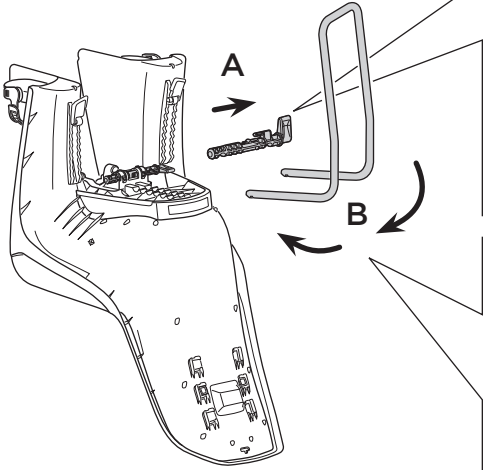
B



C



2

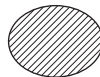
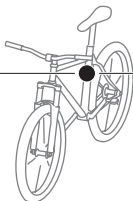


3



Ø 27.2-40 mm
Ø 1.07-1.57"

40x55 mm
1.57-2.16"

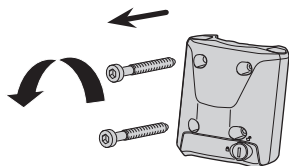


M6x44
M6x1.7"

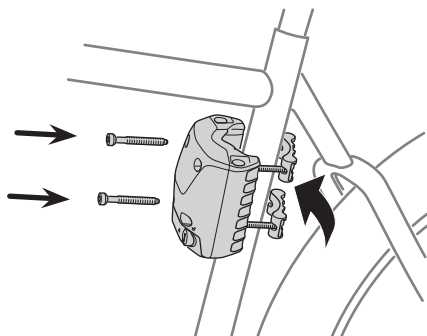


M6x58
M6x2.3"

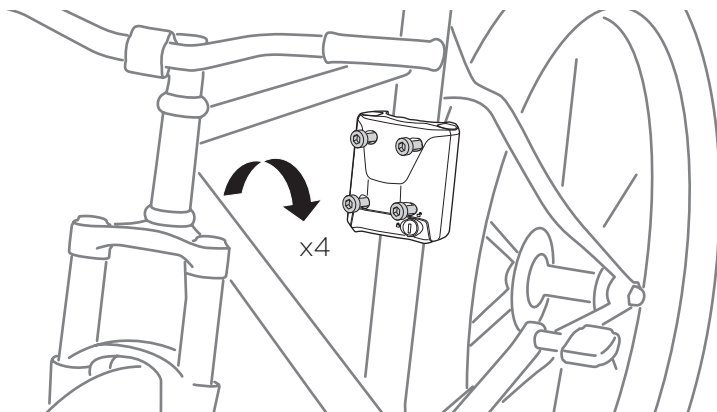
A



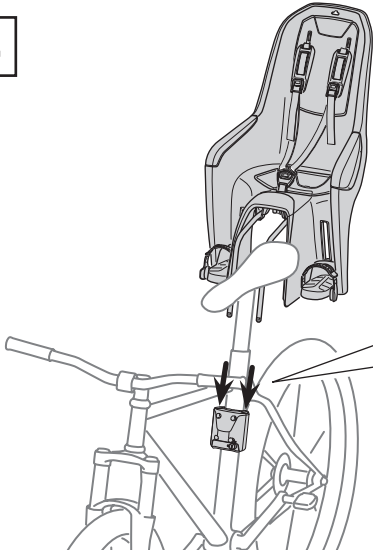
B



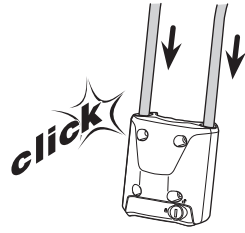
C



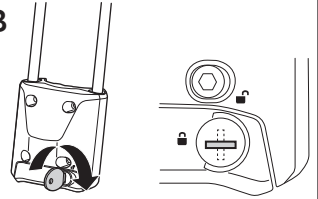
4



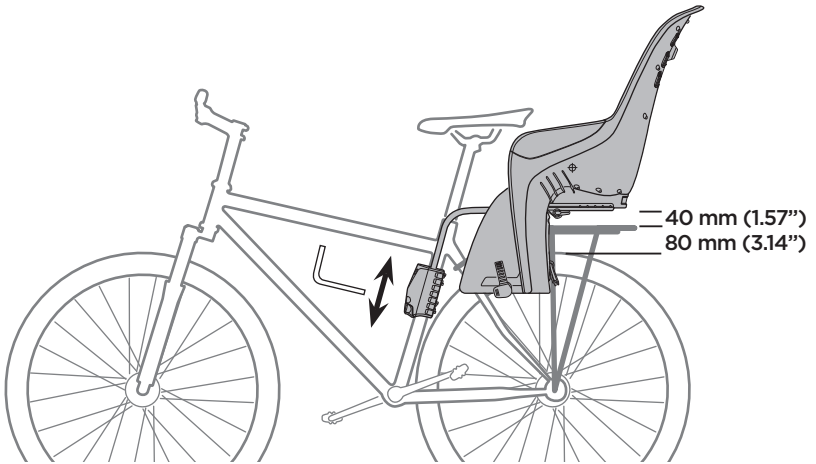
A



B



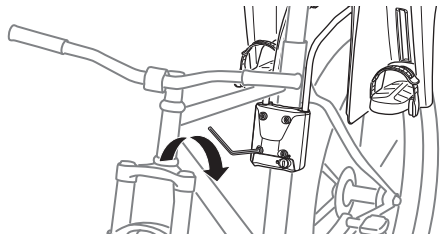
5



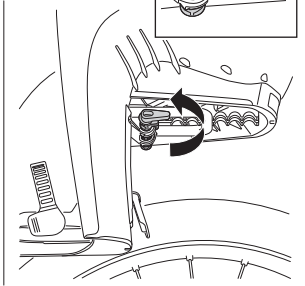
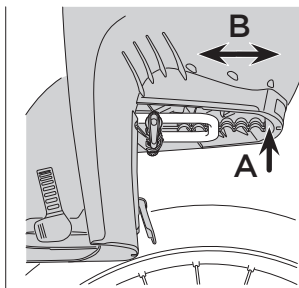
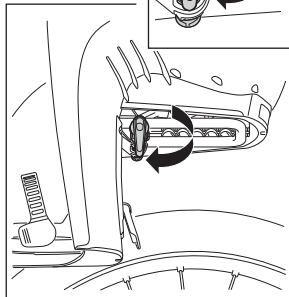
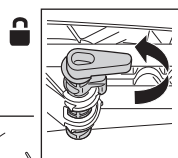
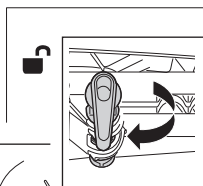
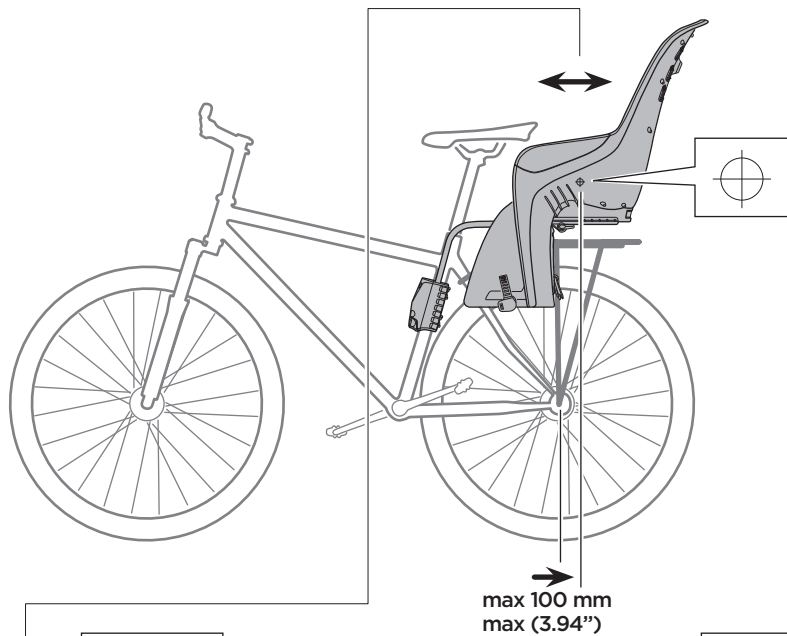
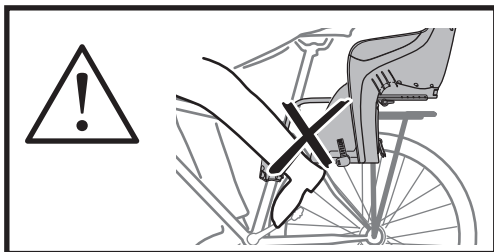
8 Nm



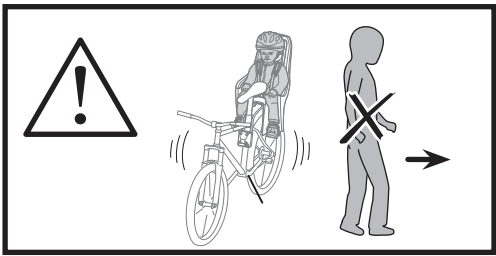
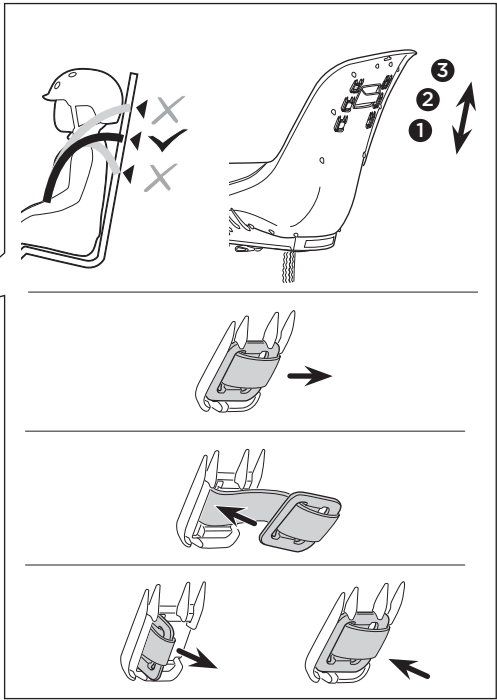
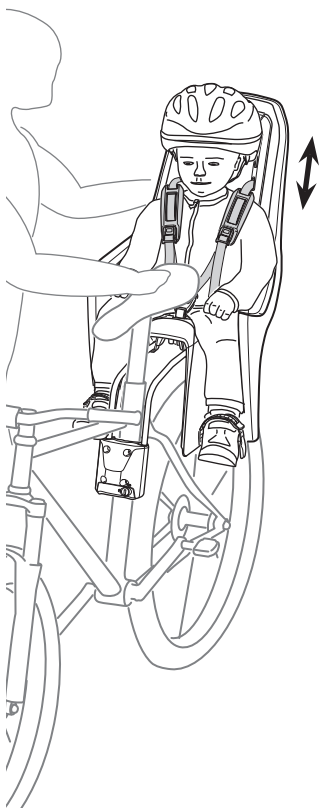
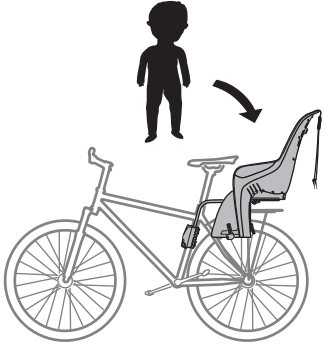
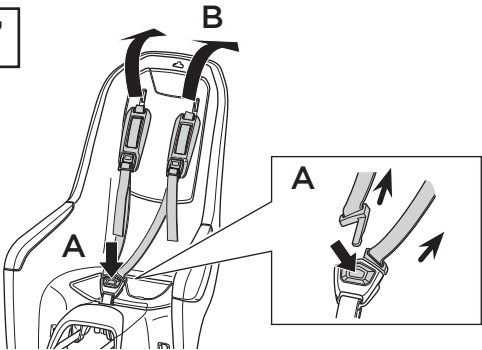
x4



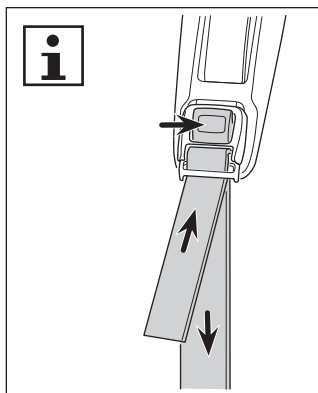
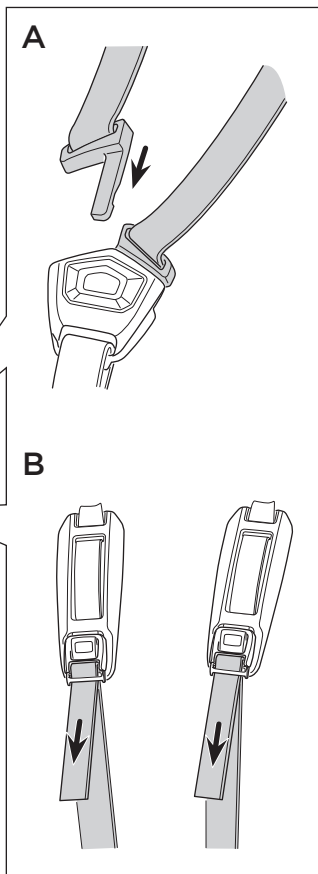
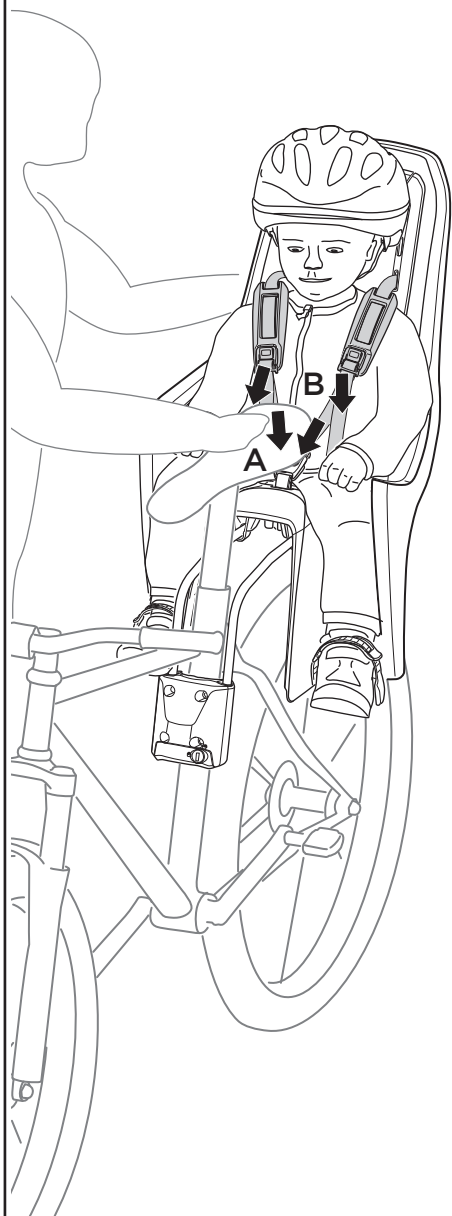
6



7



8



9

