

1

Kit 186130

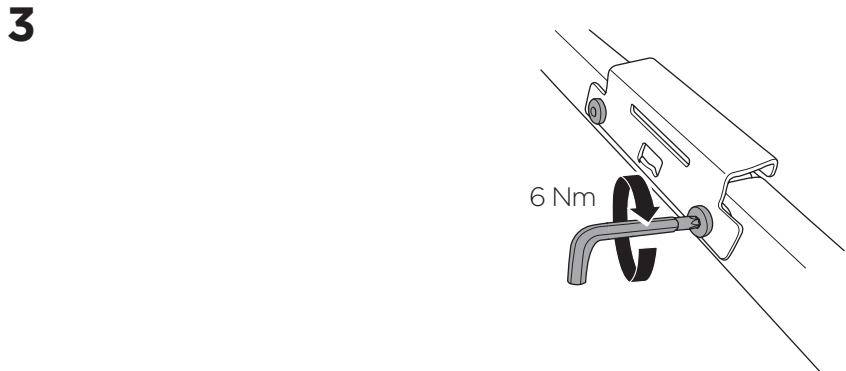
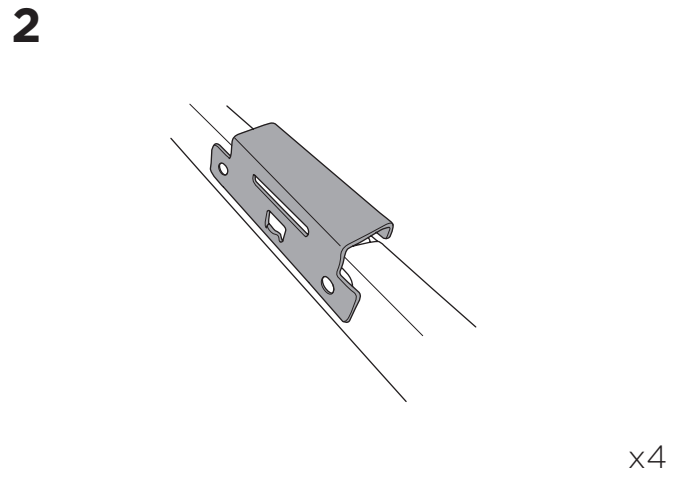
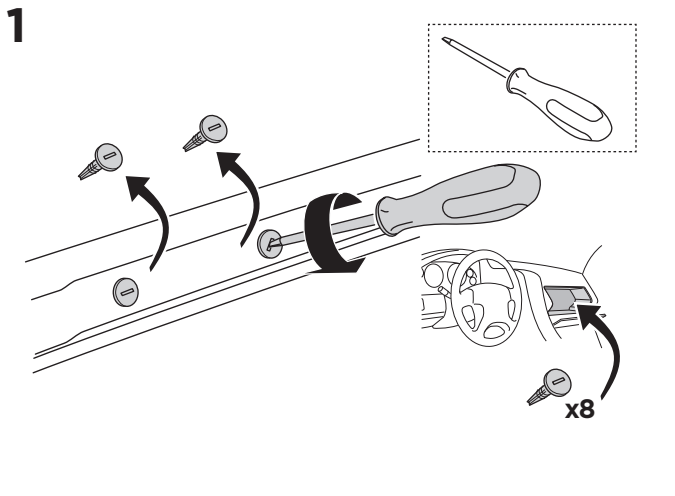
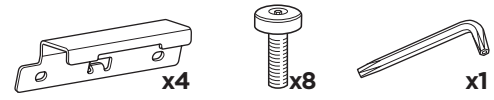
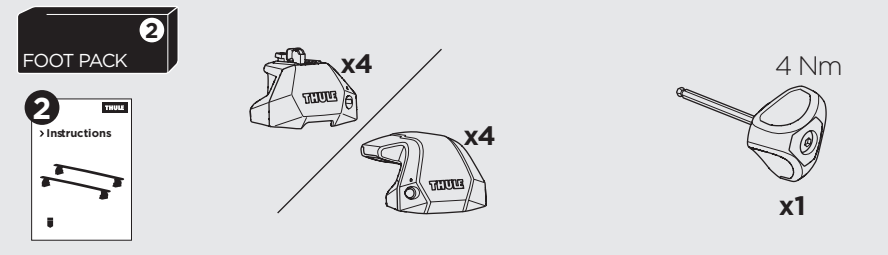
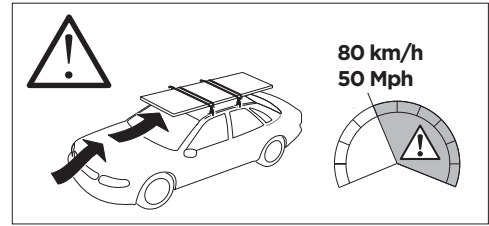
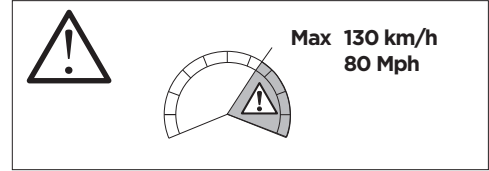
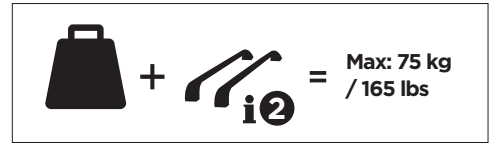
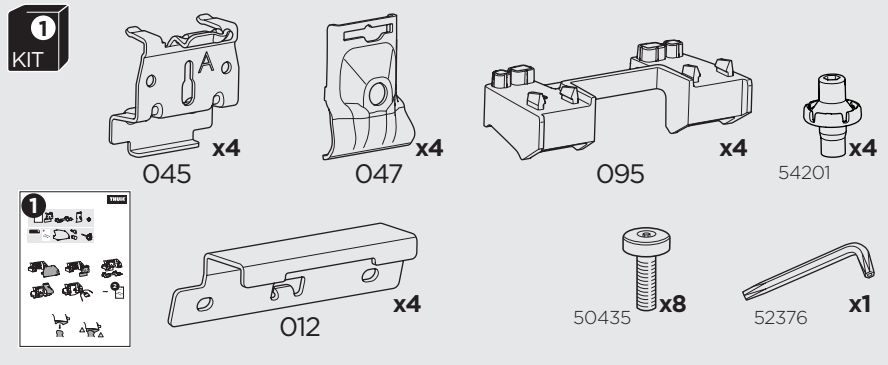
CHEVROLET Suburban, 5-dr SUV, 15-20
 CHEVROLET Tahoe, 5-dr SUV, 15-20
 CHEVROLET Trailblazer, 5-dr SUV, 12-20
 GMC Yukon, 5-dr SUV, 15-20

GMC Yukon Denali, 5-dr SUV, 15-20
 GMC Yukon XL, 5-dr SUV, 15-20
 HOLDEN Colorado 7, 5-dr SUV, 12-16
 HOLDEN Trailblazer, 5-dr SUV, 17-20

ISO 11154-E



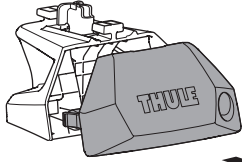
This kit is only for vehicles with flush railing.



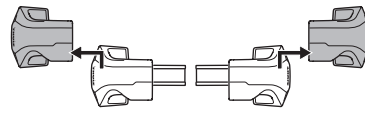
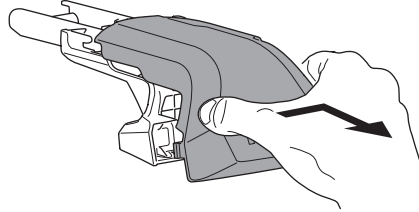
1 KIT + **2** FOOT PACK

1

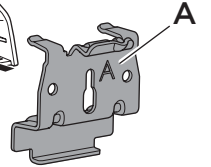
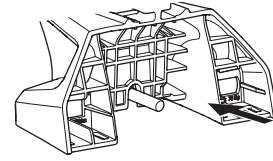
Evo



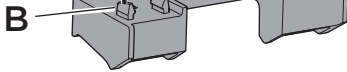
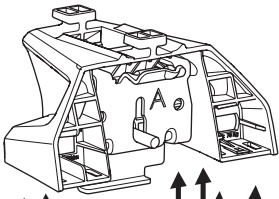
Edge



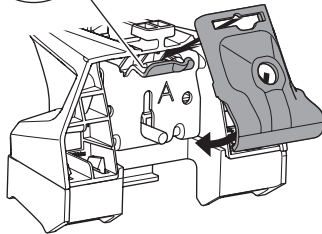
2



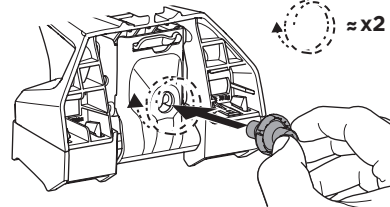
3



4



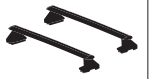
5



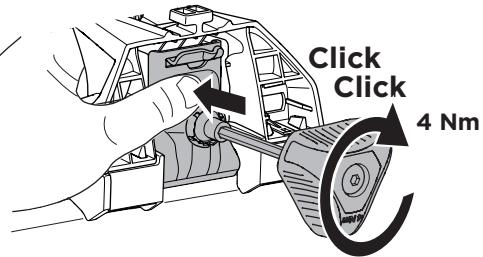
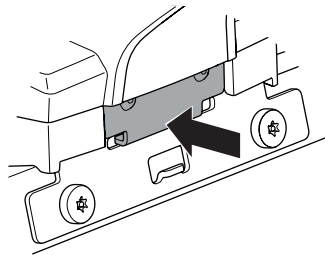
≈ x2

2 THULE

> Instructions



2



i

