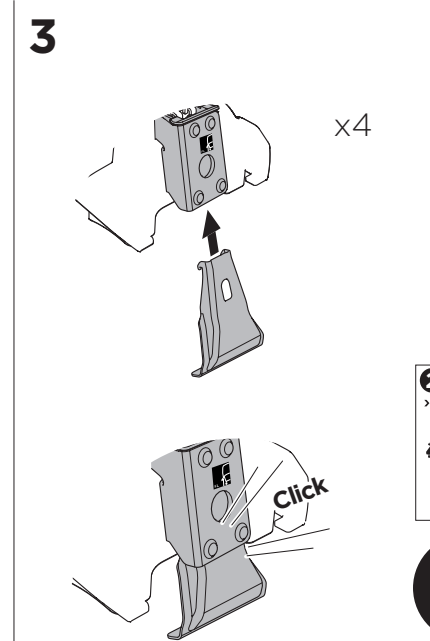
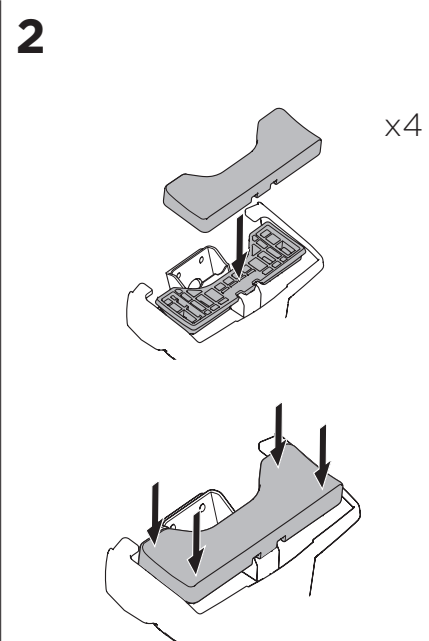
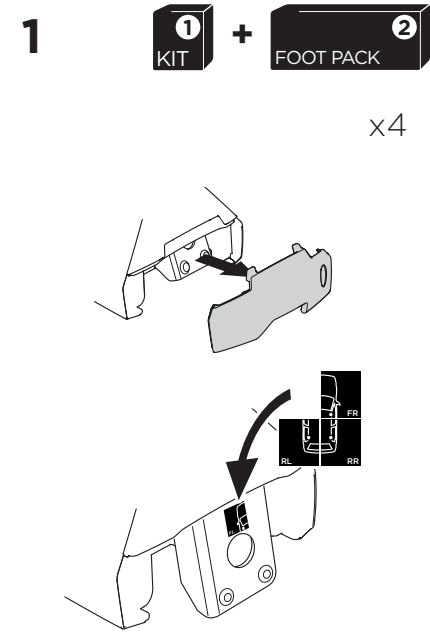
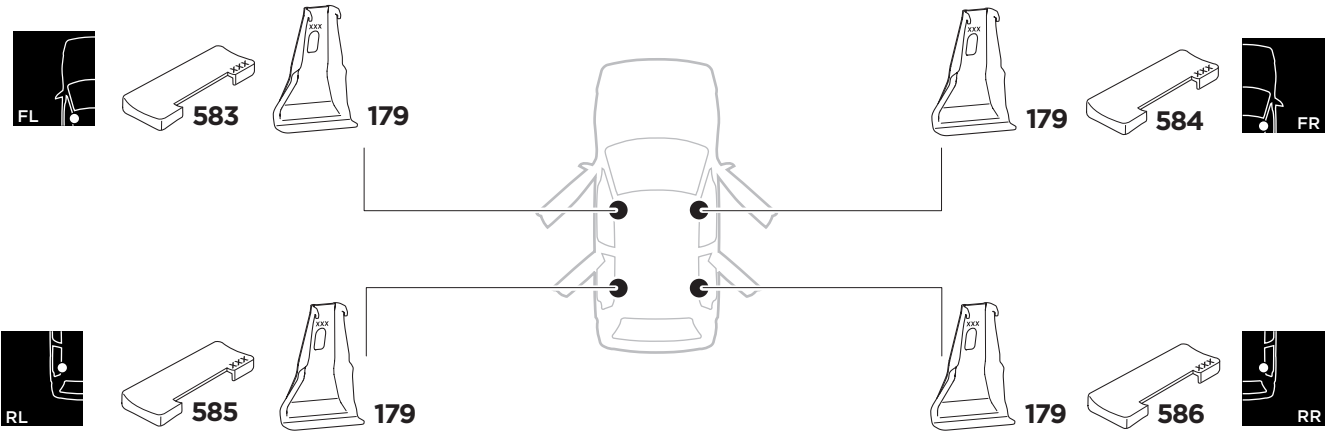
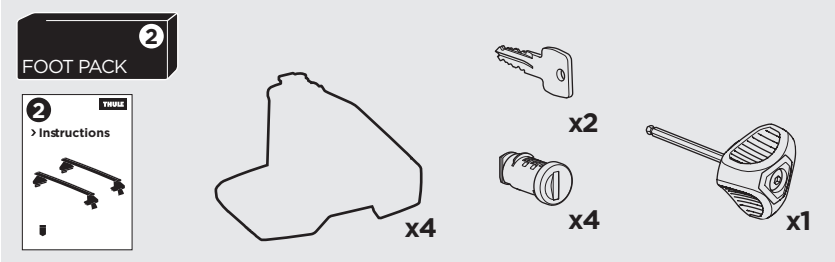
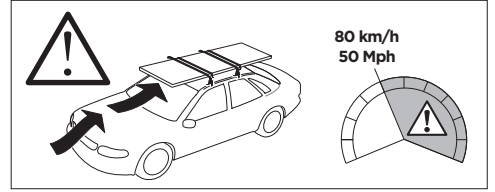
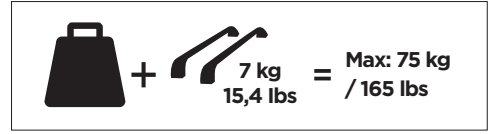
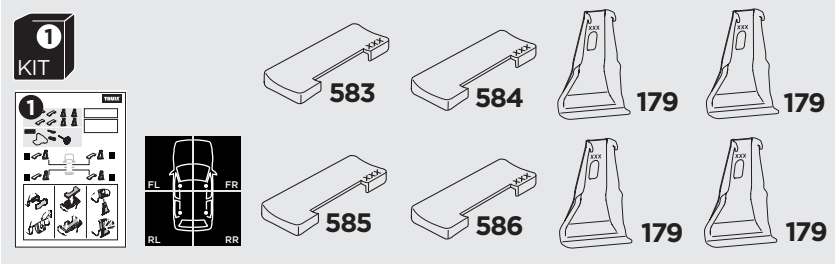


# 1

## Kit 5186 FORD Fusion, 4-dr Sedan, 13-



ISO 11154-E





THULE WingBar Evo	THULE WingBar Edge	THULE WingBar	THULE SquareBar	<b>Evo X (scale)</b>	<b>Edge X (scale)</b>
<b>FORD Fusion, 4-dr Sedan, 13-</b>				<b>46</b>	<b>E</b>

THULE ProBar	THULE SlideBar	<b>X (mm/inch)</b>		
<b>FORD Fusion, 4-dr Sedan, 13-</b>		<b>1111 mm / 43 3/4"</b>		



THULE WingBar Evo	THULE WingBar Edge	THULE WingBar	THULE SquareBar	<b>Evo Y (scale)</b>	<b>Edge Y (scale)</b>
<b>FORD Fusion, 4-dr Sedan, 13-</b>				<b>44</b>	<b>I</b>

THULE ProBar	THULE SlideBar	<b>Y (mm/inch)</b>		
<b>FORD Fusion, 4-dr Sedan, 13-</b>		<b>1091 mm / 43"</b>		

	<b>W (mm/inch)</b>	<b>Z (mm/inch)</b>
<b>FORD Fusion, 4-dr Sedan, 13-</b>	<b>700 mm / 27 1/2"</b>	<b>275 mm / 10 7/8"</b>

