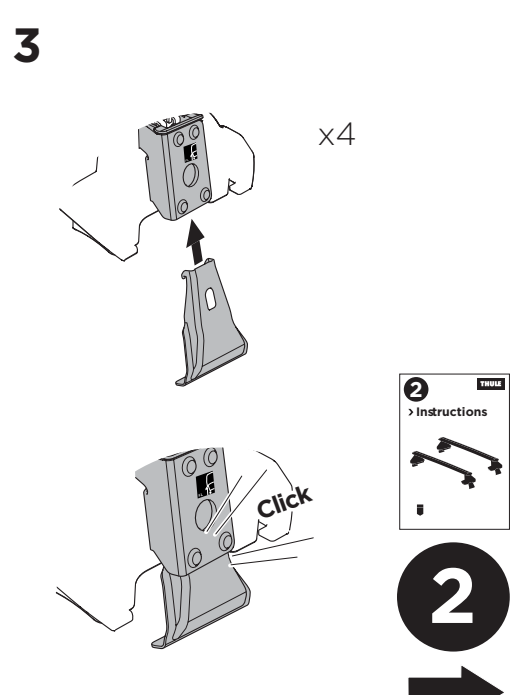
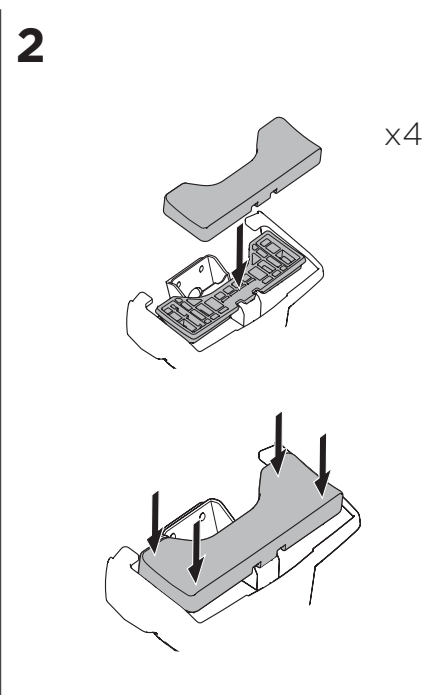
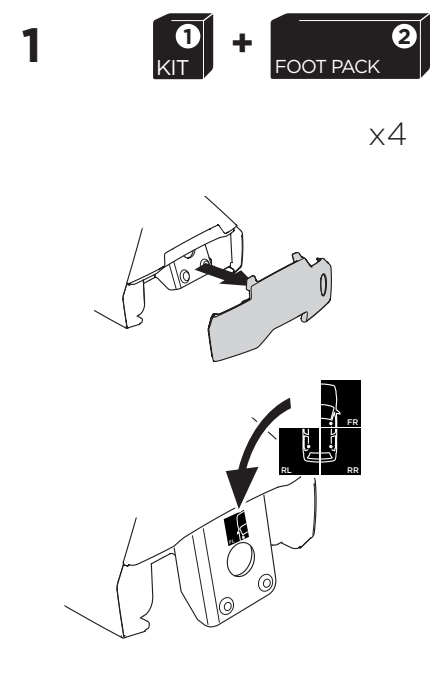
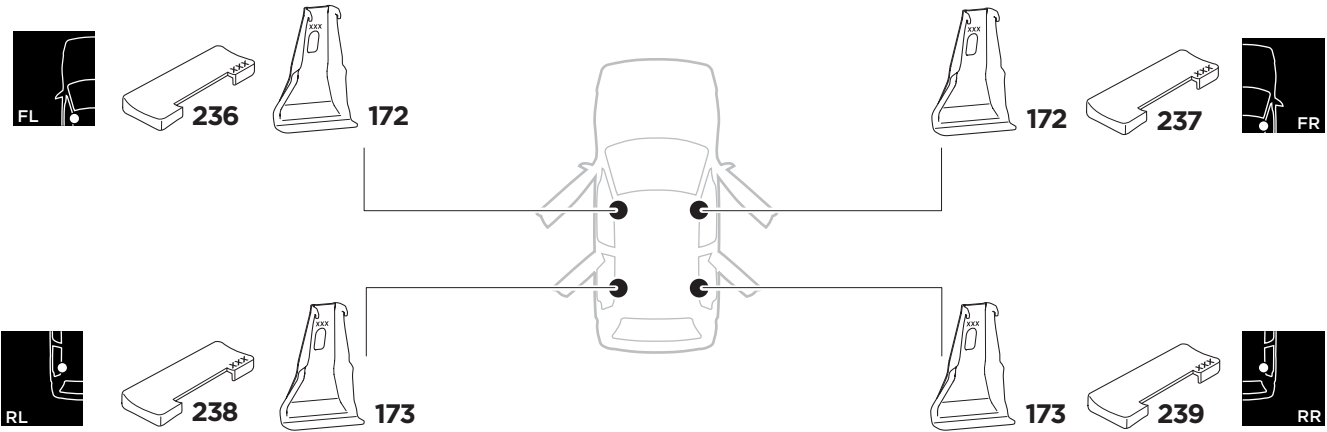
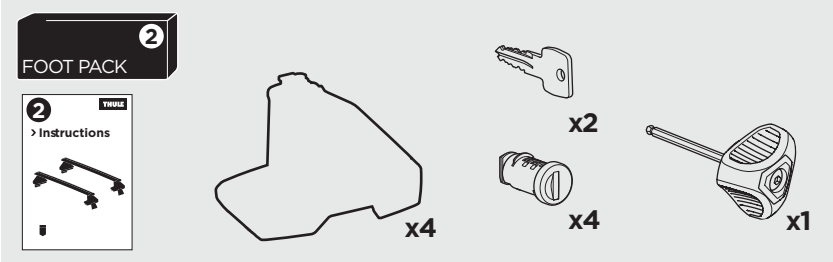
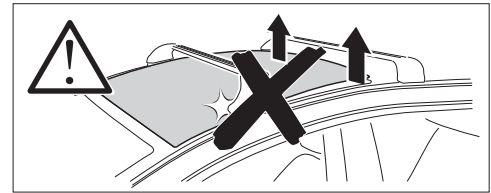
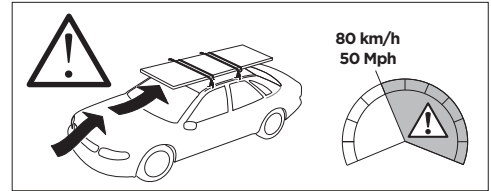
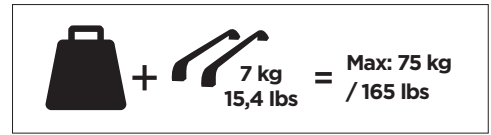
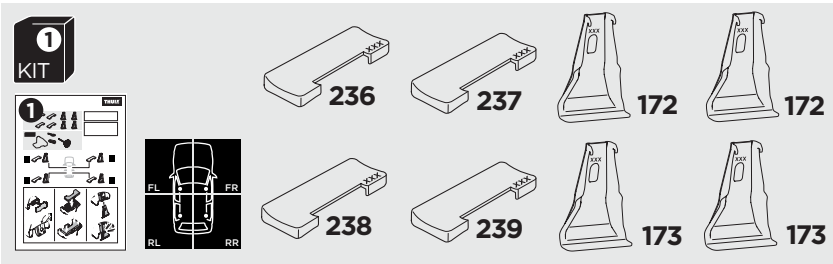


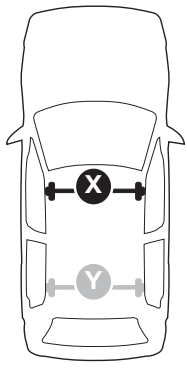
1

Kit 5081 KIA Stinger, 5-dr Hatchback, 18-

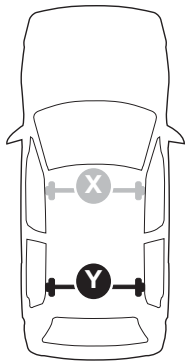


ISO 1154-E





THULE WingBar Evo	THULE WingBar Edge	THULE WingBar	THULE SquareBar	Evo X (scale)	Edge X (scale)
KIA Stinger, 5-dr Hatchback, 18-				44	I
THULE ProBar	THULE SlideBar				X (mm/inch)
KIA Stinger, 5-dr Hatchback, 18-				1091 mm / 43"	



THULE WingBar Evo	THULE WingBar Edge	THULE WingBar	THULE SquareBar	Evo Y (scale)	Edge Y (scale)
KIA Stinger, 5-dr Hatchback, 18-				40	Q
THULE ProBar	THULE SlideBar				Y (mm/inch)
KIA Stinger, 5-dr Hatchback, 18-				1051 mm / 41 3/8"	

	W (mm/inch)	Z (mm/inch)
KIA Stinger, 5-dr Hatchback, 18-	700 mm / 27 1/2"	230 mm / 9"

